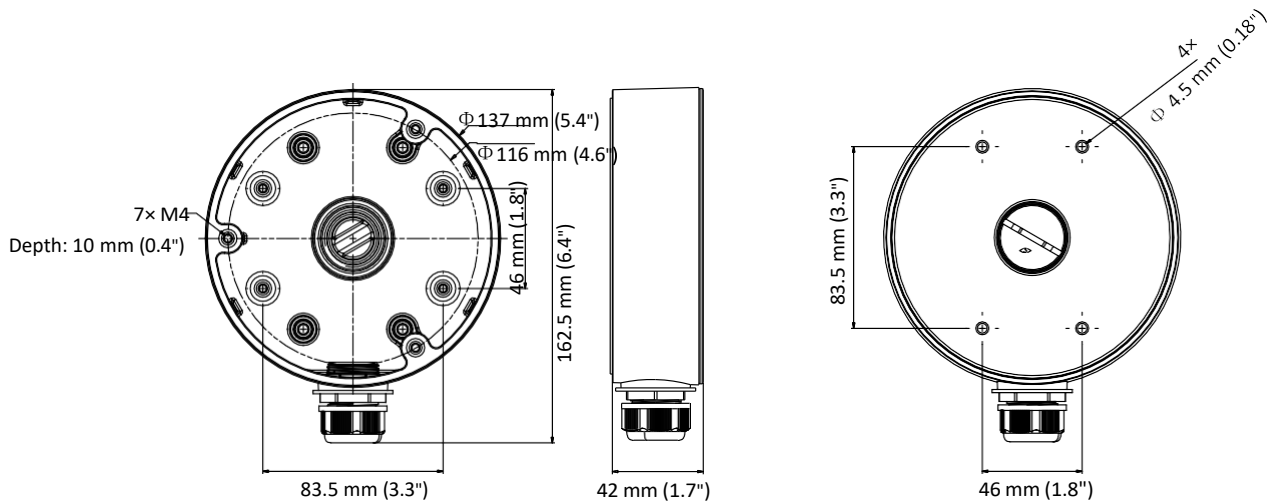


Junction Box for Dome Camera LTB701BK

Features

- Aluminum alloy material with surface spray treatment
- Side outlet, and bottom outlet
- Interchangeable bottom waterproof cover, and side gland nut
- Waterproof design

Dimension



Available Model

LTB701BK

Parameter

Model	LTB701BK
Parameters	Junction Box for Dome Camera
Appearance	Black
Material	Aluminum Alloy
Dimension	∅ 5.4" × 1.7" (∅ 137 mm × 42 mm)
Weight	0.62 lb. (280 g)

Notes

- The junction box should be installed on the flat surface.
- Waterproof rubber is necessary for outdoor application.
- The wall must be capable of supporting at least 3 times as much as the total weight of the camera, and the mount.
- The maximum load capacity of the junction box is 9.9 lb. (4.5 kg).